

DESCRIPTION

This class AB module is designed for both military and commercial applications. It is capable of supporting any signal type and modulation format, including but not limited to 3-4G telecom, WLAN, OFDM, DVB, and CW/AM/FM. The latest device technologies and design methods are employed to offer high power density, efficiency, and linearity in a small, lightweight package.


FEATURES

Over-Temperature Protection

High Speed On/Off Control

Specifications subject to change without notice. Typical performance at +12VDC at +25°C in a 50Ω system

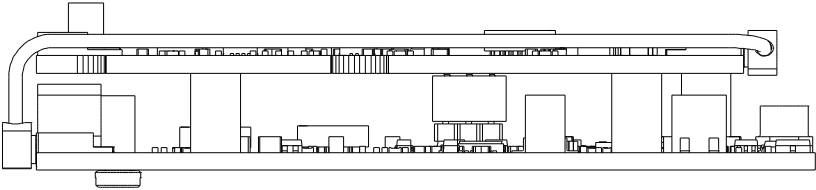
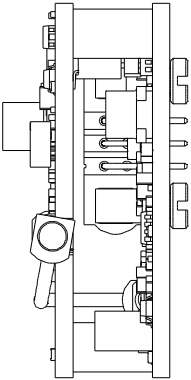
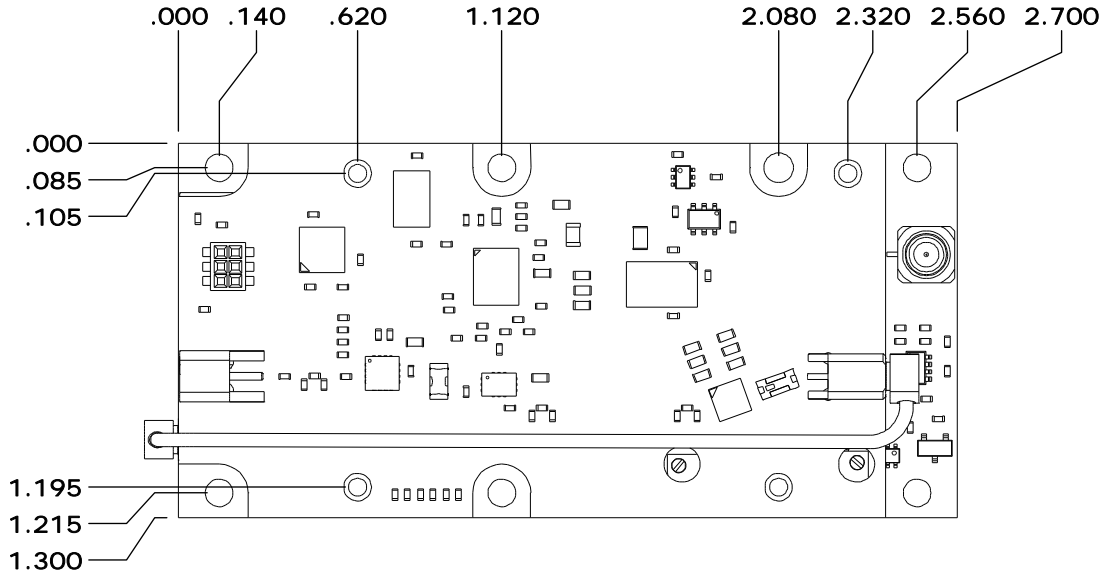
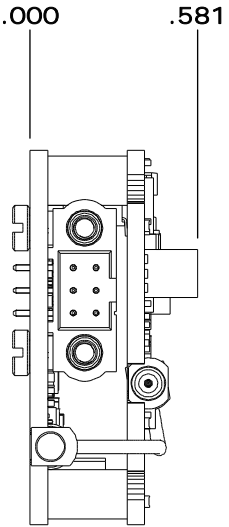
RF / ELECTRICAL				
PARAMETER	MIN	TYP	MAX	UNIT
Input Frequency Range	2125		2625	MHz
Output Frequency Range	8000		8500	MHz
PSat Power Output		+36.0		dBm
Gain	27.0	30.0		dB
Gain Flatness		1.5	2.0	dB
Input Return Loss	-15			dB
Operating Voltage	+10		+14	VDC
Current Draw @ PSat			2.0	A
Quiescent Current Draw		1.5		A
Switching Time			2.0	uS

MECHANICAL		
PARAMETER	VALUE	UNIT
Dimensions (L x W x H)	2.7 x 1.3 x 0.58	in
RF Connectors (Input / Output)	MMCX / SMP	--
DC / Control Connector	6 Pin Rectangular	--
Cooling	Baseplate Conduction - Optional Heatsink Available	--
Mounting	2-56 Thru Hole	--
Weight	2	oz.

ENVIRONMENTAL / PROTECTIONS			
PARAMETER	MIN	MAX	UNIT
Operating Temp. (Housing Temp.)	-40	+85	°C
Storage Temp Range	-60	+100	°C
Humidity Range	0-100		%
Altitude	0-30,000		ft.
Shock / Vibration	MIL-STD-810 and equivalents		--
Max RF Input	+12.0		dBm
PA Baseplate Shutoff Temperature	+85		°C

DC / CONTROL PINS		
PIN LABEL	NAME	DESCRIPTION
1	Amp Enable	TTL Hi or No Connection = Enable, TTL Lo = Disable
2	Sig. GND	Signal Ground
3,4	GND	Ground
5,6	+VDC	Supply Voltage - Range Specified in Datasheet

REVISIONS			
REV	DESCRIPTION	DATE	APPROVED
0	INITIAL RELEASE	4/23/19	DMC



DRAWN	DMC	4/23/2019
DESIGNED	DMC	1/21/2019
CHECKED	DMC	4/23/2019
ENG APPROVED	DMC	4/23/2019
MFG APPROVED	DMC	4/23/2019

DIMENSIONS ARE IN INCHES
UNLESS SPECIFIED OTHERWISE
TOLERANCES
DECIMALS FRACTIONS ANGLES
XX ±.01 ± 1/32 ± 2°
.XXX ±.005

TRIAD RF SYSTEMS
11 HARTS LANE SUITE 1
EAST BRUNSWICK, NJ 08816
855- 558- 1001

HOUSING OUTLINE DRAWING OL_212

SIZE A	DWG NO. OL_212	REV 0
SCALE: NONE	CAGE CODE 67DZ3	SHEET 1 OF 1